

Project location:	
Project name:	
Model code #:	Date

Fixture type:	nerinorthamerica.com

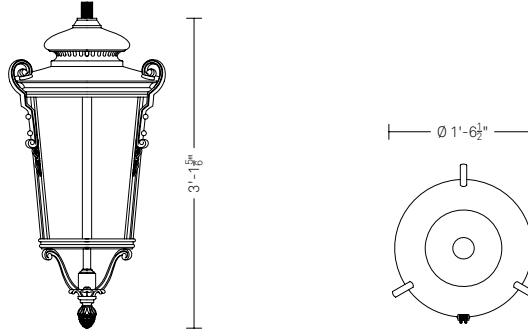
DESCRIPTION:

Circular light fixture in cast and sheet aluminium with suspended connection. Tilting bottom frame for access to auxiliary and optic compartment. Electrical components on removable plate. Optic system asymmetric with refractive lens in polycarbonate UV resistant, screen in frosted acrylic moulded in a single piece. Light source with LED module (power led's), combined to a internal large heat sink in aluminium for optimal control of temperature and self regulating power rated for a operative life of over 80,000 hours (15 years). The Light 600, require low-maintenance thank to Leds sources and IP66 protection rating in optic compartment, and is ideally for illuminating urban area, cycle paths or pedestrian walkways, parks and gardens. The suggested height of installation from 11.5' to 16.5'.

LIGHT 600

LED Source - Comfort range - Heritage
Voltage = 120-277,50/60 Hz

EPA = 1.41 ft²
 Weight = 28.66 lb (13 Kg)
 Height = 3' - 1 5/6"
 Diameter = 1' - 6 1/2"



Compliance:
 UL Standard 1598 CSA C22.2 no.250.0-8

MODEL:
 code sample: SU600L021P202

Mounting	Series	Optic system	CCT	Lumen output	Driver function
SU = Suspended	600L = Series 600	02 = type III Very Short 06 = type V Short	1 = 3,000K 3 = 4,000K	P2 = 2,500 lm P4 = 3,500 lm P6 = 4,500 lm	02 = 1-10V + NCL 06 = DALI + NCL 14 = 6 hours. aut. flux red. + NCL 71 = Manual Dimming

SPECIFICATIONS:

Construction:

- Upper tilting frame in cast aluminium.
- Tilting lower frame composed of two rings, three uprights and a three-armed bracket with flange.
- Suitable for wet location (IP 43).

Materials:

- Cast aluminium (ASTM B179-82)
- Sheet aluminium
- Hot galvanized steel
- Screen in frosted acrylic in a single piece (shock resistance IK06)
- Brass and stainless steel screws

Finish:

- Standard colour is dark grey NERI type.
- Information about paint steps used on this product in specific technical sheet.

Fastening:

- Suspended installation with threaded tube (G 3/4" - UNI 338;ISO 228/1).

Operation and maintenance:

- Follow the instructions for operation and maintenance.
- No maintenance is required, except a periodic cleaning of the screen from dust.

TECHNICAL DATA:

Electrical:

- Voltage:120-277V (universal)
- Rated power: from 26W to 53W
- Frequency: 50/60Hz.
- Protectionrating: IP43
- Operating temp.: -22F°+104F°(-30°C +40°C).
- Electronic ballast with self-diagnostic functions and monitoring of over temperatures.
- Estimate life :B10 at 80.000 hours.

Optical Features:

- Light source: power leds.
- Lumen output:from 2.500 to 4.500 lm
- Colour temperature: 3.000K or 4.000K
- Chromatic Rendering Index: CRI>70.
- Estimated life: 80.000 hours (L85 - Ta 25°C).
- Protection rating:IP66 (Optic).
- Heat sink in aluminium extruded for a optimal control of temperature with electronic sensor on LED plate for the control of over temperatures.
- Refractive lens in PC (UV resistant).
- IES classification: cat off.
- Shock resistance of screen:IK10

On demand features

- Painting:colour of RAL range.
- Information about paint steps used on this product in specific technical sheet.

CONFIGURATION TABLES:

Configuration tables of luminous fluxes.

The efficacy (lm/W) on table refers to the complete system.

3,000 K - Colour temperature			
Code	lm output	Watt	lm/W
1P2	2,500	27	79
1P4	3,500	39	76
1P6	4,500	53	72

4,000 K - Colour temperature			
Code	lm output	Watt	lm/W
3P2	2,500	26	82
3P4	3,500	36	82
3P6	4,500	48	80

Configuration of driver functions

Code	Driver function
02	1-10V control + constant flux control (1-10V + NCL)
06	DALI control + constant flux control (DALI + NCL)
14	6 hours aut. flux reduction -30% + constant flux control (6H NVL + NCL)
71	Optional: Internal manual dimming control allowing up to 50% light reduction. Setup by qualified operator and with powerline disconnected.

Note:

- NCL: constant flux control is standard with all driver functions.

Project location:			
Project name:			
Model code #:		Date	

Fixture type:	nerinorthamerica.com
Rev.A - 2014	

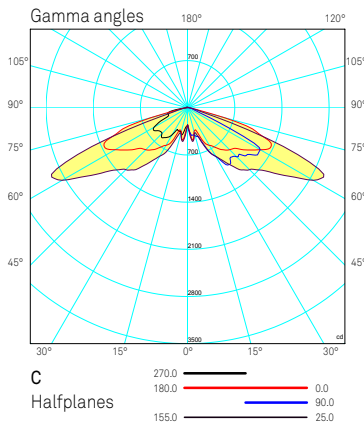
LIGHT 600

LED Source - Comfort range
Heritage

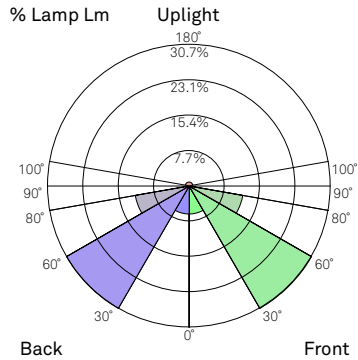
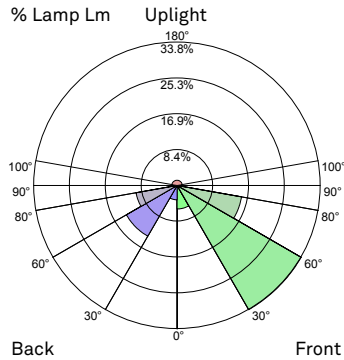
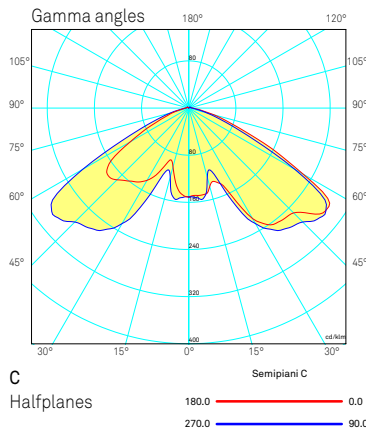
PHOTOMETRIC VALUE

LM-79 test and reports are performed in accordance with IESNA standards.

OPTIC 02 - Type III short Cutoff



OPTIC 06 - Type V short Cutoff



Luminaire Classification System (LCS)			
LCS Zone	Angles	% Lamp	% Lum
FL	0° - 30°	5.5%	6.5%
FM	30° - 60°	33.8%	39.8%
FH	60° - 80°	15.4%	18.2%
FVH	80° - 90°	0.6%	0.7%
BL	0° - 30°	3.4%	4.0%
BM	30° - 60°	13.8%	16.3%
BH	60° - 80°	9.8%	11.6%
BVH	80° - 90°	0.8%	0.9%
UL	90° - 100°	0.5%	0.6%
UH	100° - 180°	1.2%	1.5%
Totals		84.8%	100%
P2 - BUG: B1 U2 G1			
P4 - BUG: B1 U2 G1			
P6 - BUG: B1 U3 G1			

Luminaire Classification System (LCS)			
LCS Zone	Angles	% Lamp	% Lum
FL	0° - 30°	6.1%	6.1%
FM	30° - 60°	30.7%	30.7%
FH	60° - 80°	11.9%	11.9%
FVH	80° - 90°	0.6%	0.6%
BL	0° - 30°	6.1%	6.1%
BM	30° - 60°	30.7%	30.7%
BH	60° - 80°	11.9%	11.9%
BVH	80° - 90°	0.6%	0.6%
UL	90° - 100°	0.5%	0.5%
UH	100° - 180°	0.8%	0.8%
Totals		100.0%	100.0%
P2 - BUG: B1 U2 G1			
P4 - BUG: B1 U2 G1			
P6 - BUG: B2 U2 G1			