

Project location:	
Project name:	
Model code #:	Date

Fixture type:	nerinorthamerica.com

## DESCRIPTION:

Circular light fixture in die-cast and sheet aluminium, with rapid coupling for suspended mounting. The lower frame is tilting for access to auxiliary and optic compartment and the electrical components are mounted on easily removable plate. Optical system in a single-piece molded in UV resistant polycarbonate, with large refractive lenses for glare minimizing. Light source with LED module (power led's), coupled to an internal large heat sink in aluminium for optimal control of temperature and self regulating power rated for a operative life of over 80,000 hours (15 years). The Light 23, requires low-maintenance thank to IP66 protection rating and to Leds lighting sources. Thank to optic system geometry, is ideally for lighting of urban streets and major roads. The suggested height of installation from 16' to 30'.

## LIGHT 34 - serie 343

### LED Source - Cperformance range

Voltage = 120-277, 50/60 Hz

EPA = 0.60 ft²

Weight = 27.11 lb (12.3 Kg)

Height (H) = 10 5/8" (270 mm)

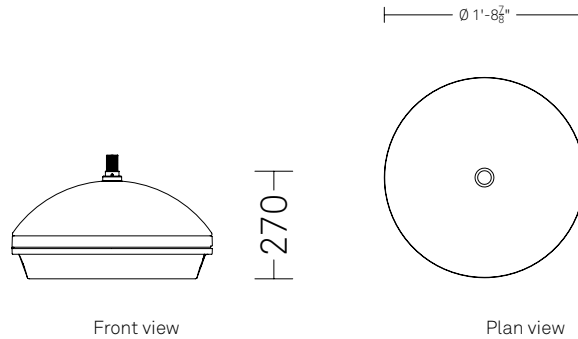
Diameter (D) = 1' - 8 7/8" (530 mm)



Compliance:  
UL Standard 1598 CSA C22.2 no.250.0-8

## MODEL:

code sample: SU343L123M402



Mounting	Series	Optic system	CCT	Lumen output	Driver function
SU = Suspended	343L = Light 34 LED - serie 343	11 = type II Short 12 = type III Very Short	1 = 3,000K 3 = 4,000K	M2 = 6,00 lm M3 = 7,500 lm M4 = 9,000 lm M5 = 10,500 lm M6 = 12,000 lm *	02 = 1-10V + NCL 06 = DALI + NCL 14 = 6 hours. aut. flux red. + NCL 71 = Manual dimming

## SPECIFICATIONS:

### Construction:

- Upper frame in aluminum.
- Lower frame ring in cast aluminum for the support of optic system and for the Led module, hinged to upper frame and secured with two flexible clips in stainless steel.
- Suitable for wet location (IP 66).

### Materials:

- Die-cast aluminium (ASTM B179-82)
- Sheet aluminium
- Hot galvanized steel
- Brass (rapid coupling)
- Stainless steel screws

### Finish:

- Standard colour is dark grey NERI type.
- Information about paint steps used on this product in specific technical sheet.

### Fastening:

- Suspended installation with threaded tube (G 3/4" - UNI 338; ISO 228/1).

### Operation and maintenance:

- Follow the instructions for operation and maintenance.
- No maintenance is required, except a periodic cleaning of the screen from dust.

## TECHNICAL DATA:

### Electrical:

- Compliance: UL Standard 1598 - CSA C22,2 no.250.0.
- Voltage: 120-277V (Universal).
- Rated power: from 57W to 136W.
- Frequency: 50/60Hz.
- Protection rating: IP66
- Operating temp.: -22°F + 104°F (-30°C + 40°C).
- Electronic ballast with self-diagnostic function and monitoring for over temperatures.
- Estimated life: B10 at 80,000 hours.

### Optical Features:

- Light source: power leds.
- Lumen output: from 4.500 to 12.000 lm
- Colour temperature: 3.000K or 4.000K
- Chromatic Rendering Index: CRI>70.
- Estimated life: 80.000 hours (L85 - Ta 25°C).
- Protection rating: IP66 (Optic).
- Heat sink in aluminium extruded for a optimal control of temperature with electronic sensor on LED plate for the control of over temperatures.
- Refractive lens in PC (UV resistant).
- IES classification: cat off.
- Shock resistance of screen: IK10.

## CONFIGURATION TABLES:

Configuration tables of luminous fluxes.  
The efficacy (lm/W) on table refers to the complete system.

3,000 K - Colour temperature			
Code	lm output	Watt	lm/W
1M2	6,000	61	98
1M3	7,500	79	95
1M4	9,000	100	90
1M5	10,500	124	85

4,000 K - Colour temperature			
Code	lm output	Watt	lm/W
3M2	6,000	57	105
3M3	7,500	73	103
3M4	9,000	92	98
3M5	10,500	113	93
3M6	12,000	136	88

### Configuration of driver functions

Code	Driver function
02	1-10V control + constant flux control (1-10V + NCL)
06	DALI control + constant flux control (DALI + NCL)
14	6 hours aut. flux reduction -30% + constant flux control (6H NVL + NCL)
71	Optional: Internal manual dimming control allowing up to 50% light reduction. Setup by qualified operator and with powerline disconnected.

## Notes:

- (\*) Lumen output M6, available only with colour temperature of 4,000K.
- NCL= (Neri Constant Lumen) control for maintenance is standard with all driver functions.

## ACCESSORIES:

- Adherent decorative ring (Ø 750 mm) in sheet aluminium (code 0006.083)
- Distanced decorative ring (Ø 750 mm) in sheet aluminium (code 0006.082)



## On request features:

- Painting with colours of RAL range.

Project location:			
Project name:			
Model code #:		Date	

Fixture type:	nerinorthamerica.com

## LIGHT 34 - serie 343

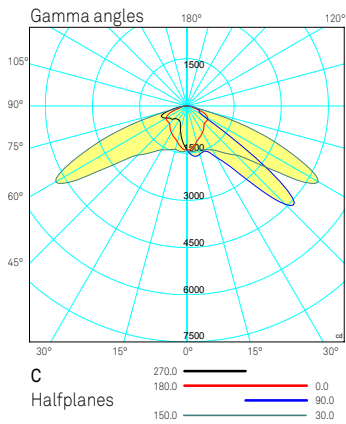
LED Source - Performance range

Heritage

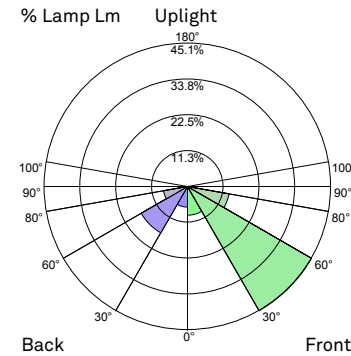
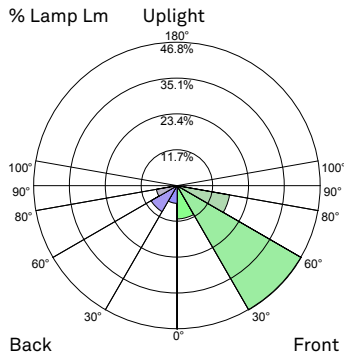
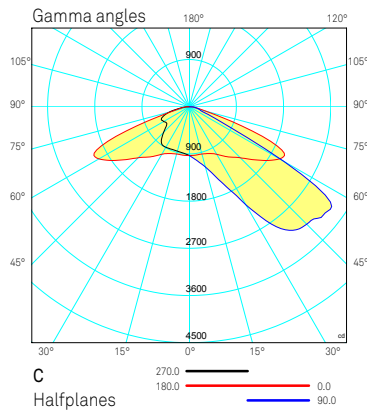
### PHOTOMETRIC VALUE

LM-79 test and reports are performed in accordance with IESNA standards.

OPTIC mod. 11 - Type II Short Full Cutoff



OPTIC mod. 12 - Type III very short Full Cutoff



Luminaire Classification System (LCS)			
LCS Zone	Angles	% Lamp	% Lum
FL	0° - 30°	10.8%	10.8%
FM	30° - 60°	46.8%	46.8%
FH	60° - 80°	17.4%	17.4%
FVH	80° - 90°	1.3%	1.3%
BL	0° - 30°	5.8%	5.8%
BM	30° - 60°	9.8%	9.8%
BH	60° - 80°	6.8%	6.8%
BVH	80° - 90°	1.3%	1.3%
UL	90° - 100°	0.0%	0.0%
UH	100° - 180°	0.0%	0.0%
Totals		100.0%	100.0%
M2 - BUG: B1 U0 G1			
M3 - BUG: B2 U0 G2			
M4 - BUG: B2 U0 G2			
M5 - BUG: B2 U0 G2			
M6 - BUG: B2 U0 G2			

Luminaire Classification System (LCS)			
LCS Zone	Angles	% Lamp	% Lum
FL	0° - 30°	9.0%	9.0%
FM	30° - 60°	45.1%	45.1%
FH	60° - 80°	13.3%	13.3%
FVH	80° - 90°	0.9%	0.9%
BL	0° - 30°	6.5%	6.5%
BM	30° - 60°	16.8%	16.8%
BH	60° - 80°	7.6%	7.6%
BVH	80° - 90°	0.9%	0.9%
UL	90° - 100°	0.0%	0.0%
UH	100° - 180°	0.0%	0.0%
Totals		100.0%	100.0%
M2 - BUG: B2 U0 G1			
M3 - BUG: B2 U0 G2			
M4 - BUG: B2 U0 G2			
M5 - BUG: B2 U0 G2			
M6 - BUG: B2 U0 G2			