

Project location:			
Project name:			
Model code #:		Date	

Fixture type:	nerinorthamerica.com
Rev. A - 2014	

DESCRIPTION:

Light Hydra was conceived by industrial designer Makio Hasuike. The light fixture is made in cast aluminium and galvanized steel sheet, with upright connection for tube with diameter 2.36". Removable upper frame for access to auxiliary and optic compartment. Electrical components on removable plate with manual disconnect. Optic symmetric, composed by a LED module and a mixing light chamber with screen in flat glass with phosphor remote technology. Heat dissipation directly on the frame for an optimal control of temperature for ensure a operative life of over 80,000 hours (15 years). The light fixture require low-maintenance thank to Leds sources and optic system with IP66. It is ideal for illuminating cycle paths or pedestrian walkways in urban contemporary style areas with. The suggested height of installation from 13.0' to 16.5'.

LIGHT HYDRA

LED Source - Comfort range - Contemporary

Voltage = 120-277, 50/60 Hz

EPA = 0.834 ft²

Weight = 44.09 lb (20.0 Kg)

Height = 1' - 11 3/4" (605 mm)

Length = 1' - 4 1/2" (610 mm)

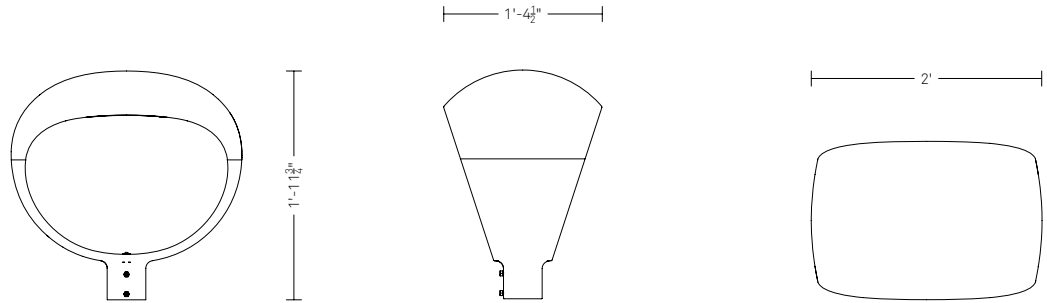
Width = 2' (420 mm)



Compliance:
UL Standard 1598 CSA C22.2 no.250.0-8

MODEL:

code sample: PUHYDL043H106



Mounting	Series	Optic system	CCT	Lumen output	Driver function
PU = Post top	HYDL = Light Hydra LED source	04 = type V Very Short	1 = 3,000K 3 = 4,000K	H1 = 3,000 lm H2 = 4,000 lm	02 = 1-10V + NCL

SPECIFICATIONS:

Construction:

- Upper frame removable.
- Lower frame with inside part in steel sheet white painted.
- Suitable for wet location (IP 43)."

Materials:

- Die-cast aluminium (ASTM B179-82)
- Hot galvanized steel
- Tempered flat glass screen (shock resistance IK06)
- Stainless steel screws

Finish:

- Standard colour is dark grey NERI type.
- Information about paint steps used on this product in specific technical sheet.

Fastening:

- Upright installation on head post or bracket.
- Hole diam.1,10" for attachment to the support.

Operation and maintenance:

- Follow the instructions for operation and maintenance.
- No maintenance is required, except a periodic cleaning of the screen from dust.

TECHNICAL DATA:

Electrical:

- Compliance: UL Standard 1598 - CSA C22.2 no.250.0.
- Voltage: 120-277V (universal).
- Rated power: from 38W to 59W.
- Frequency: 50/60Hz.
- Protection rating: IP43.
- Operating temp.: -22°F +104°F (-30°C +40°C).
- Electronic ballast with self-diagnostic functions and monitoring of over temperatures.
- Estimated life: B10 at 80,000 hours.
- Surge protection 4kV

Optical Features:

- Light source: power leds
- Lumen output: 3,000 or 4,000 lm
- Color temperature: 3,000K or 4,000K
- Chromatic Rendering Index: CRI > 80
- Estimated life: 80,000 hours (L85 - Ta 25°C)
- LED source with efficiency of 90 lm/W
- Protection rating optic system: IP66
- Optic (NLG 04): type III Very Short IES: Semi cutoff
- Tempered flat glass screen with remote phosphors
- Heat sink in aluminium integrated into the cover for optimal control of temperature with NTC sensor on led plate for the control of over temperatures

On demand features

- Painting: colour of RAL range.
- Information about paint steps used on this product in specific technical sheet.

CONFIGURATION TABLES:

Configuration tables of luminous fluxes.

The efficacy (lm/W) on table refers to the complete system.

3,000 K - Colour temperature			
Code	lm output	Watt	lm/W
1H1	3,000	41	72
1H2	4,000	59	68
4,000 K - Colour temperature			
Code	lm output	Watt	lm/W
3H1	3,000	38	79
3H2	4,000	53	75

LOR = 90,10%

Configuration of driver functions

Code	Driver function
02	1-10V control + constant flux control (1-10V + NCL)

Project location:			
Project name:			
Model code #:		Date	

Fixture type:	nerinorthamerica.com
Rev. A - 2014	

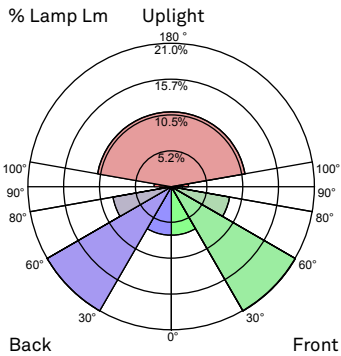
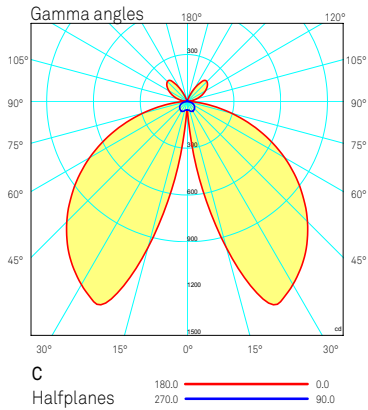
LIGHT HYDRA

LED Source - Comfort range
Contemporary

PHOTOMETRIC VALUE

LM-79 test and reports are performed in accordance with IESNA standards.

OPTIC NLG 04 - Type V Very Short Semi Cutoff



Luminaire Classification System (LCS)			
LCS Zone	Angles	% lamp	% lum
FL	0° - 30°	7.1%	7.9%
FM	30° - 60°	21.0%	23.3%
FH	60° - 80°	8.6%	9.6%
FVH	80° - 90°	1.6%	1.8%
BL	0° - 30°	7.1%	7.9%
BM	30° - 60°	21.0%	23.3%
BH	60° - 80°	8.6%	9.6%
BVH	80° - 90°	1.6%	1.8%
UL	90° - 100°	2.5%	2.8%
UH	100° - 180°	10.9%	12.1%
Totals		90.1%	100%
H1 - BUG: B1 U3 G1			
H2 - BUG: B1 U3 G1			