

Project location:	
Project name:	
Model code #:	Date

Fixture type:	nerinorthamerica.com

## DESCRIPTION:

Light fixture hexagonal shaped in cast aluminum and galvanized steel sheet with head pole connection. Tilting upper frame for access to auxiliary and optic compartment. Electrical components on removable plate. Optic system with refractive lens in polycarbonate UV resistant, screen in frosted glass. Light source with LED module, combined to a internal large heat sink in aluminum for optimal control of temperature and self regulating power rated for a operative life of over 80,000 hours (15 years). The Light 700, require low-maintenance thank to Leds sources and is ideally for illuminating urban area, cycle paths or pedestrian walkways, parks and gardens. The suggested height of installation from 11.5' to 16.5'.

## LIGHT 701

### LED Source - Comfort range - Heritage

Voltage = 120-277,50/60 Hz

EPA = 2.96 ft<sup>2</sup>

Weight = 29.54 lb (13.4 Kg)

Height = 2' 9 1/2"

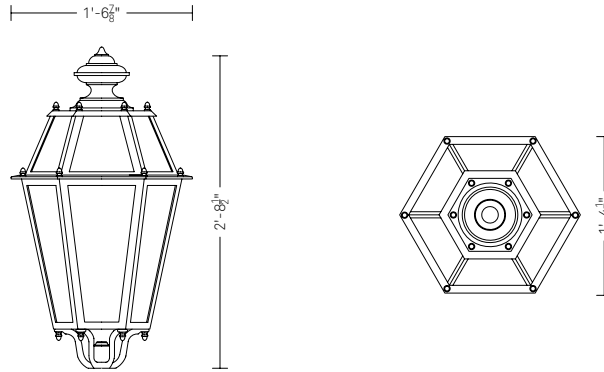
Diameter = 1' - 6 7/8"



Compliance:  
UL Standard 1598 CSA C22.2 no.250.0-8

### MODEL:

code sample: PU701L021P406



Mounting	Series	Optic system	CCT	Lumen output	Driver function
PU = Head post	701L = Series 700	02 = type III Short 06 = type V (on request)	1 = 3,000K 3 = 4,000K	P2 = 2,500 lm P4 = 3,500 lm P6 = 4,500 lm	01 = 1-10V 06 = DALI + NCL 14 = 6 hours. aut. flux red. + NCL 71 = Manual dimming

## SPECIFICATIONS:

### Construction:

- Upper tilting frame in cast aluminium.
- Bottom frame composed of six uprights and a six-armed support with flange.
- Suitable for wet location (IP 43).

### Materials:

- Cast aluminium (ASTM B179-82)
- Sheet aluminium
- Screen in frosted acrylic in a single piece (shock resistance IK06)
- Brass and stainless steel screws

### Finish:

- Standard colour is dark grey NERI type.
- Information about paint steps used on this product in specific technical sheet.

### Fastening:

- Upright installation on head post or bracket.
- Hole diam.1,10" for attachment to the support.

### Operation and maintenance:

- Follow the instructions for operation and maintenance.
- No maintenance is required, except a periodic cleaning of the screen from dust.

## TECHNICAL DATA:

### Electrical:

- Voltage:120-277V (universal)
- Rated power: from 26W to 53W
- Frequency: 50/60Hz.
- Protectionrating: IP43
- Operating temp.: -22F°+104F°(-30°C +40°C).
- Electronic ballast with self-diagnostic functions and monitoring of over temperatures.
- Estimate life :B10 at 80.000 hours.

### Optical Features:

- Light source: power leds.
- Lumen output:from 2.500 to 4.500 lm
- Colour temperature: 3.000K or 4.000K
- Chromatic Rendering Index: CRI>70.
- Estimated life: 80.000 hours (L85 - Ta 25°C).
- Protection rating:IP66 (Optic).
- Heat sink in aluminium extruded for a optimal control of temperature with electronic sensor on LED plate for the control of over temperatures.
- Refractive lens in PC ( UV resistant ).
- IES classification: cat off.
- Shock resistance of screen:IK10

### On demand features

- Painting:colour of RAL range.
- Information about paint steps used on this product in specific technical sheet.

## CONFIGURATION TABLES:

### Configuration tables of luminous fluxes.

3,000 K - Colour temperature			
Code	lm output	Watt	Efficacy (lm/W)
1P2	2,500	27	75
1P4	3,500	39	73
1P6	4,500	53	69
4,000 K - Colour temperature			
Code	lm output	Watt	Efficacy (lm/W)
3P2	2,500	26	78
3P4	3,500	36	79
3P6	4,500	48	76

The efficacy (lm/W) on table refers to the complete system.

### Configuration of driver functions

Code	Driver function
02	1-10V control + constant flux control (1-10V + NCL)
06	DALI control + constant flux control (DALI + NCL)
14	6 hours aut. flux reduction -30% + constant flux control (6H NVL + NCL)
71	Optional: Internal manual dimming control allowing up to 50% light reduction. Setup by qualified operator and with powerline disconnected.

### Note:

- NCL: constant flux control is standard with all driver functions.

Project location:			
Project name:			
Model code #:		Date	

Fixture type:	nerinorthamerica.com
Rev. B - 2014	

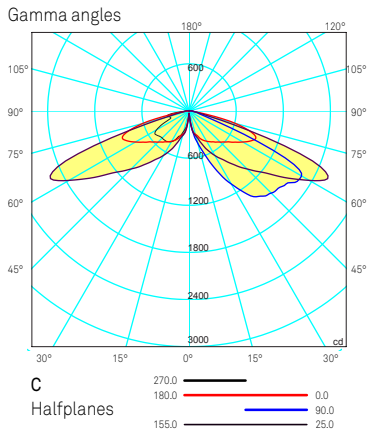
## LIGHT 700 - 701

LED Source - Comfort range  
Heritage

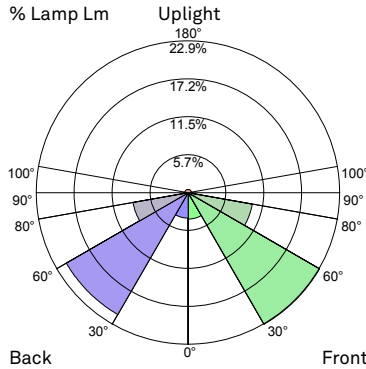
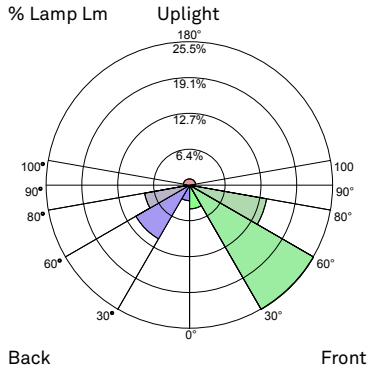
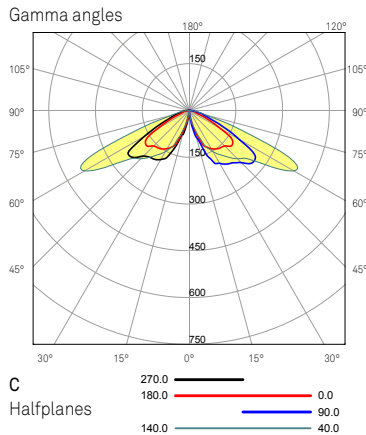
### PHOTOMETRIC VALUE

LM-79 test and reports are performed in accordance with IESNA standards.

#### OPTIC 02 - Type III Short



#### OPTIC 06 - Type III Short



Luminaire Classification System (LCS)			
LCS Zone	Angles	% Lamp	% Lum
FL	0° - 30°	4.2%	6.1%
FM	30° - 60°	25.5%	36.9%
FH	60° - 80°	13.9%	20.1%
FVH	80° - 90°	0.7%	1.0%
BL	0° - 30°	2.8%	4.0%
BM	30° - 60°	11.0%	15.9%
BH	60° - 80°	8.1%	11.7%
BVH	80° - 90°	1.1%	1.5%
UL	90° - 100°	0.7%	1.1%
UH	100° - 180°	1.1%	1.6%
Totals		69.0%	100%
P2 - BUG: B1 U2 G1			
P4 - BUG: B1 U2 G1			
P6 - BUG: B1 U2 G1			

Luminaire Classification System (LCS)			
LCS Zone	Angles	% Lamp	% Lum
FL	0° - 30°	4.0%	5.5%
FM	30° - 60°	22.9%	31.5%
FH	60° - 80°	9.8%	13.5%
FVH	80° - 90°	0.8%	1.1%
BL	0° - 30°	3.8%	5.3%
BM	30° - 60°	21.2%	29.2%
BH	60° - 80°	8.4%	11.6%
BVH	80° - 90°	0.7%	1.0%
UL	90° - 100°	0.5%	0.6%
UH	100° - 180°	0.5%	0.7%
Totals		72.7%	100%
P2 - BUG: B1 U2 G1			
P4 - BUG: B1 U2 G1			
P6 - BUG: B1 U2 G1			