

**Regulations of reference**  
NTC 2008 DM 14/01/2008

**Components**  
The columns (A1 and A2) provide support and are made of cast iron. The lower column (A2) is octagonal and is inserted in the upper column (A1), which is decorated with twenty grooves, topped with a Corinthian capital.

The base panel is composed of a plinth (B) and a windowsill (C), both in cast iron, interconnected by a hot-dip galvanised steel sheet (D), internally reinforced and finished with a 20mm [3/4"]-thick insulated sandwich panel. The external part is decorated with two squares.

The window frames (E) are made of aluminium, opened upwards, with laminated glass (thickness: 6/7mm [1/4"]).

The two doors, made of aluminium profiles, can be opened outwards with a door width of 900mm [35 2/4"] and are equipped with a closing spring.

The shutters (F) are roller shutters and made of fully insulated steel, complete with external locks; the shutters are operated manually but assisted by a spring system that reduces their weight.

The roller shutters (G) are covered internally by a white wooden box (H) equipped with a door that can be opened for maintenance purposes and, outside, by hot-dip galvanised steel strip (I) made in a single cast with five internally decorated squares with four symmetrically arranged leaves. The frieze (I) is illuminated internally by a ceiling lamp (J) with fluorescent lamps.

The cover is made from hot-dip galvanised steel beams (M) that support a copper-plated fibreglass cover (N) and an internal false ceiling made from wooden matchboarding (O) (insulated with a 12mm [2/4"]-thick layer of expanded polyethylene and a 30mm [1 1/4"]-thick expanded polystyrene panel) which continues to the outside of the kiosk throughout the protrusion of the cantilever roof.

The cantilever roof is supported by steel beams and cast iron brackets (P).

The gutter (Q) is made of an appropriately-shaped hot-dip galvanised steel sheet, with copper outriggers, visibly covered by a decorated aluminium fascia (R).

The skylight is made from hot-dip galvanised steel beams that support a copper-plated fibreglass cover and an internal false ceiling (insulated with a 12mm [2/4"]-thick layer of expanded polyethylene and 30mm [1 1/4"]-thick expanded polystyrene panel) in wooden matchboarding. The roof, like the cantilever roof, is equipped with a gutter with the same features.

The windows (alternately fixed, with a lift-up opening) are made from a hot-dip galvanised steel frame, complete with glass.

The two decorative tops (S) is made of aluminium.

**KIOSKS**  
**ARTICLE: 3165.002.300**  
**TECHNICAL DESCRIPTION**

**Decorated kiosk**  
**Octagonal plan**  
**Double hipped roof**  
**Low windowsill**

The kiosk is supplied with three central globe lights (diameter: 350mm [13 3/4"]) in opal white PMMA, with a bulb holder.

**Materials**  
The standard colours are:  
- Cast iron UNI EN 1561  
- FE 360 steel UNI EN 10219-1  
See the specific descriptions on the painting cycles of the materials that make up the product.

**Finishes**  
The standard colours are:  
- Neri Grey  
- Green RAL 6005  
Other colours are available upon request.

**Weight**  
Standard indications

**Installation**  
To place in operation, it is necessary to prepare a perfectly level brickwork base, measuring approximately 100mm [4"] high from the ground.

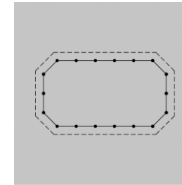
The electronic, hydraulic and flooring systems are not included.

**Energy class**  
The energy class of the kiosks is assessed from time to time based on the place of installation, the regulations in force and the customer's specific requirements.

**Warranty**  
Standard

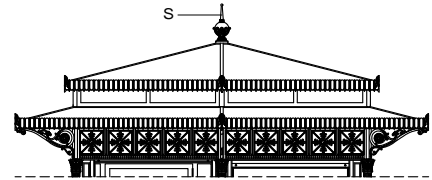
3165	002	300
Kiosk plan	Roof type	Column height

Octagonal plan

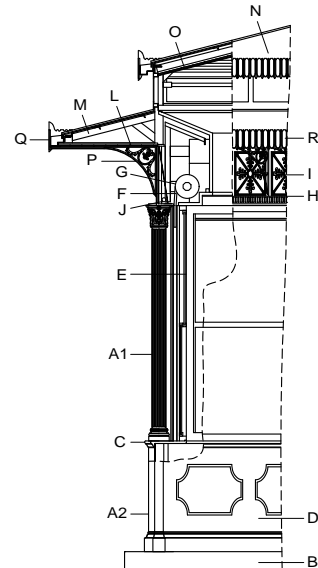


<b>Usable area</b>
49.8m <sup>2</sup> [536 sq ft]
<b>Covered area</b>
69.1m <sup>2</sup> [744 sq ft]
<b>Modules</b>
18

Double hipped roof



Low windowsill



**KIOSKS**  
**ARTICLE: 3165.002.300**  
**PLAN**  
**SCALE 1:100**

**Decorated kiosk**  
**Octagonal plan**  
**Double hipped roof**  
**Low windowsill**

3165

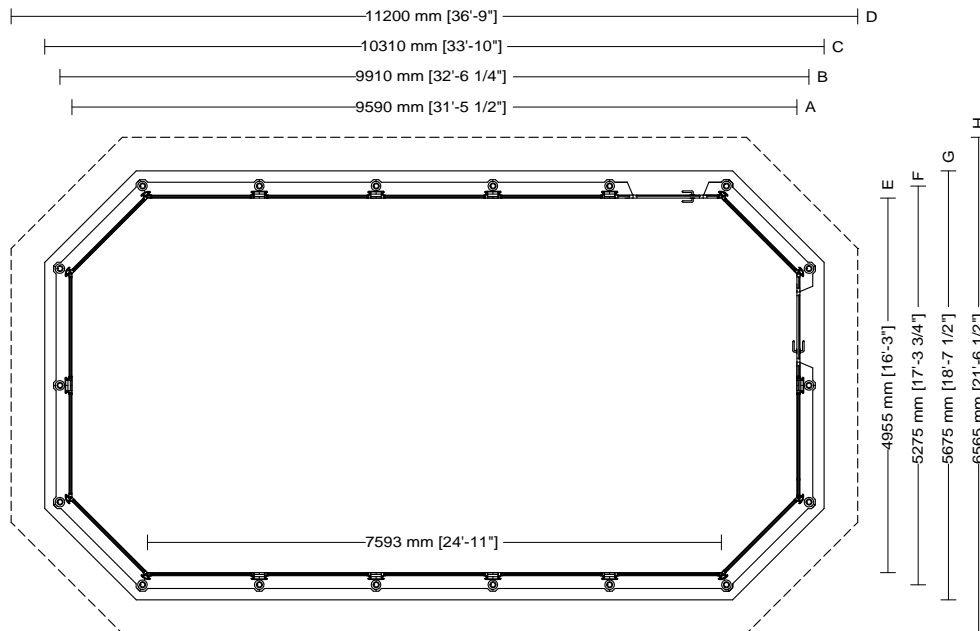
Kiosk plan

002

Roof type

300

Column height



**Usable area**

49.8m<sup>2</sup> [536 sq ft]

**Covered area**

69.1m<sup>2</sup> [744 sq ft]

**Modules**

18

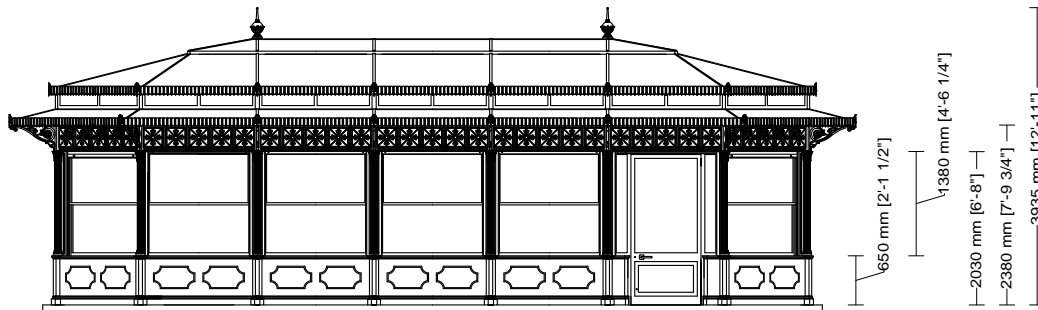
**Drawing key**

- A Internal windowsill
- B Column axis
- C Foundation base
- D Roofing
- E Internal windowsill
- F Column axis
- G Foundation base
- H Roofing

**KIOSKS**  
**ARTICLE: 3165.002.300**  
**ELEVATION**  
**SCALE 1:100**

**Decorated kiosk**  
**Octagonal plan**  
**Double hipped roof**  
**Low windowsill**

3165	002	300
Kiosk plan	Roof type	Column height



**KIOSKS**  
**ARTICLE: 3165.002.300**  
**SECTION**  
**SCALE 1:100**

**Decorated kiosk**  
**Octagonal plan**  
**Double hipped roof**  
**Low windowsill**

3165	002	300
Kiosk plan	Roof type	Column height

