

Regulations of reference
NTC 2008 DM 14/01/2008

Components

The columns (A1 and A2) are made of cast iron castings. The lower column (A2) is octagonal with a base plinth and is inserted in the upper column (A1), which is decorated with twenty grooves, topped with a Corinthian capital. Each column has a flange (diameter: 284mm [11 1/4"]) with three holes (diameter: 20mm [3/4"]) for fixing to the ground with anchor bolts.

The octagonal columns (B) are made of cast iron (key: 75mm [3"]) with an corner bracket.

The cast iron frieze (C) is made of a single cast with five squares internally decorated with four symmetrically placed leaves.

The cover (D) is made from hot-dip galvanised steel beams that support a copper-coloured fibreglass cover and an internal false ceiling made from wooden matchboarding (with an overhead 12mm [2/4"]-thick layer of expanded polyethylene) which continues to the outside of the gazebo throughout the protrusion of the cantilever roof.

The cantilever roof is supported by cast iron beams and brackets (E). The brackets are interposed between the squares of the panels (four brackets per panel).

The gutter is made of an appropriately-shaped hot-dip galvanised steel sheet, with copper outriggers, visibly covered by a decorated aluminium fascia (F).

The two tops (G) are made of cast aluminium with a pointed tip, decorated at the bottom with leaves and placed on top of the cover.

The gazebo is supplied with three central globe lights (diameter: 350mm [13 3/4"]) in opal white PMMA, with a bulb holder.

Materials

The standard colours are:

- Cast iron UNI EN 1561
- Cast aluminium UNI EN 1706
- S235J steel UNI EN 10219-1

See the specific descriptions on the painting cycles of the materials that make up the product.

Finishes

The standard colours are:

- Neri Grey
- White RAL 9010

Other colours are available upon request.

Weight

Standard indications

SMALL GAZEBOS

ARTICLE: 3065.001.100

TECHNICAL DESCRIPTION

Decorated small gazebo

Octagonal plan

Hipped roof

Gazebo without arches

Installation

To place in operation, it is necessary to prepare a perfectly level brickwork base.

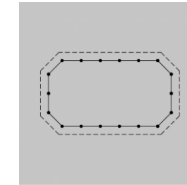
The electronic, hydraulic and flooring systems are not included.

Warranty

Standard

3065	001	100
Gazebo plan	Roof type	Column height

Octagonal plan



Usable area

49.8m² [536 sq ft]

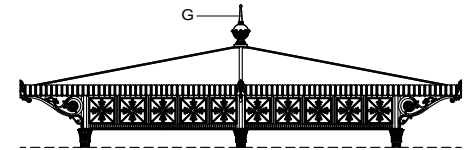
Covered area

69.1m² [744 sq ft]

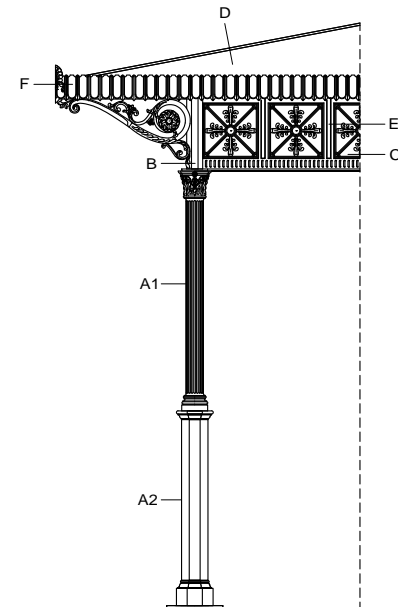
Modules

18

Hipped roof



Gazebo without arches



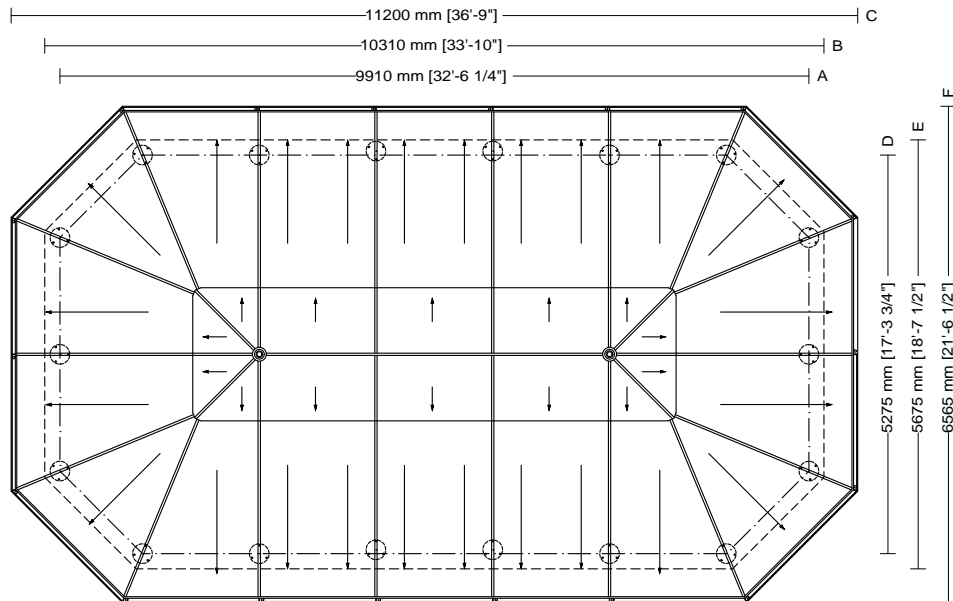
SMALL GAZEBOS
ARTICLE: 3065.001.100
PLAN
SCALE 1:100

Decorated small gazebo
Octagonal plan
Hipped roof
Gazebo without arches

3065	001	100
Gazebo plan	Roof type	Column height

Usable area
49.8m ² [536 sq ft]
Covered area
69.1m ² [744 sq ft]
Modules
18

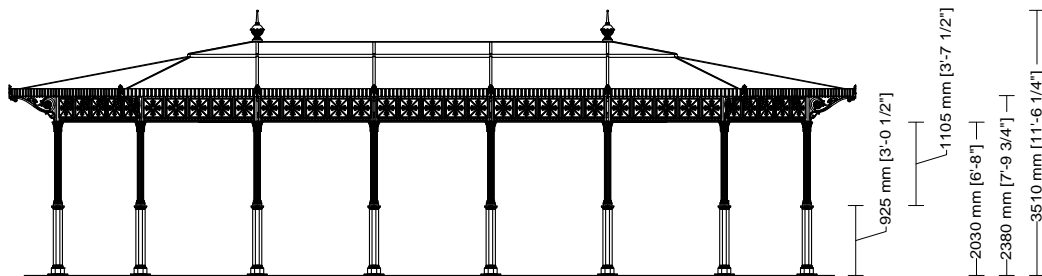
- Drawing key**
- A Column axis
 - B Foundation base
 - C Roofing
 - D Column axis
 - E Foundation base
 - F Roofing



SMALL GAZEBOS
ARTICLE: 3065.001.100
ELEVATION
SCALE 1:100

Decorated small gazebo
Octagonal plan
Hipped roof
Gazebo without arches

3065	001	100
Gazebo plan	Roof type	Column height



SMALL GAZEBOS
ARTICLE: 3065.001.100
SECTION
SCALE 1:100

Decorated small gazebo
Octagonal plan
Hipped roof
Gazebo without arches

3065	001	100
Gazebo plan	Roof type	Column height

